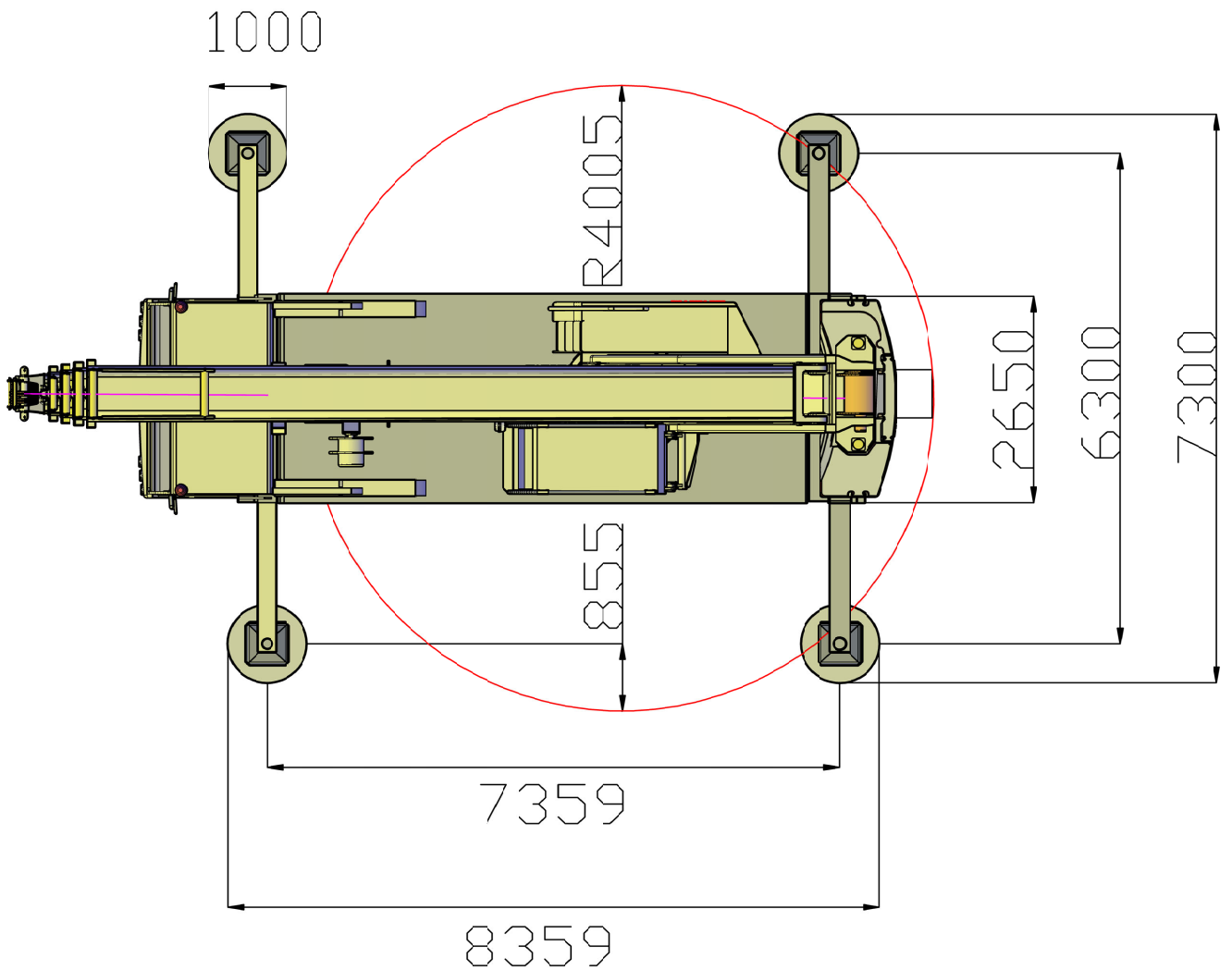
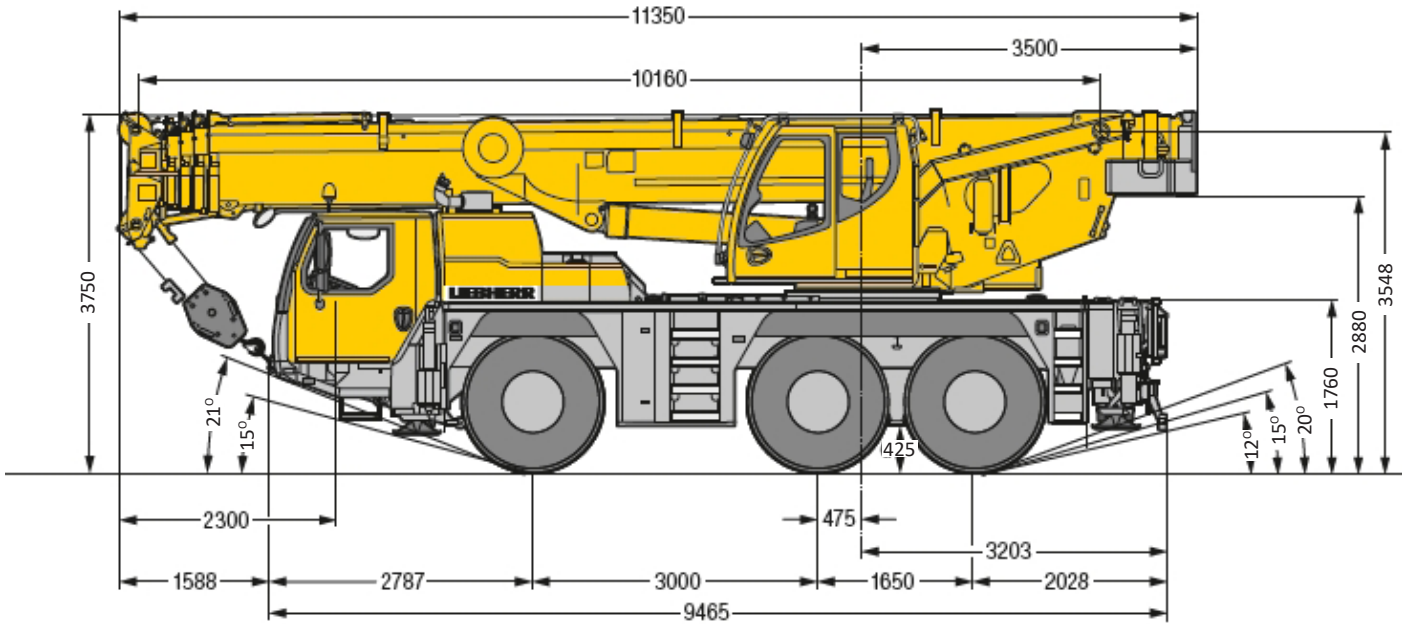


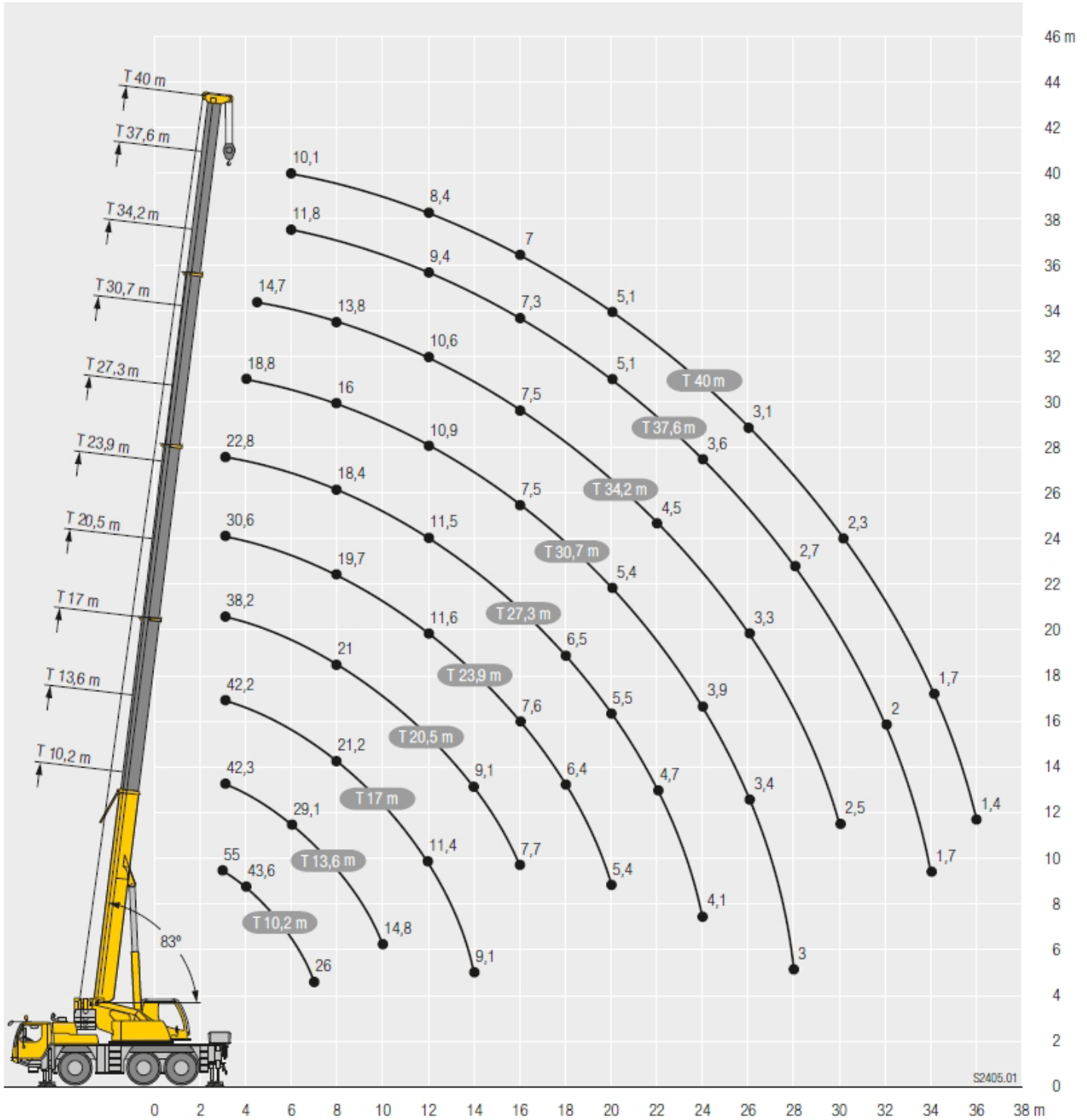


**MCINTOSH**  
CRANES

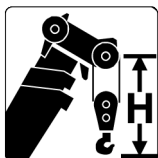
**Liebherr LTM 1055-3.2**  
55 Tonne

**Liebherr LTM 1055-3.2**





Liebherr LTM 1055-3.2



Type	Possible Load	Weight	H
- 3 Sheave -	30.2t	280kg	1.4m
- 1 Sheave -	15t	180kg	1.4m
Ball Hook	5t	75kg	1.4m



# Liebherr LTM 1055-3.2

## 55 Tonne



10.2 - 40.0m



6.3m



360°



12t

### Main Boom (m)

Radius	10.2	13.6	17.0	20.5	23.9	27.3	30.7	34.2	37.6	40.0	Radius
3	42.3	42.3	42.2	38.2	30.6	22.8					3
4	40.9	40.9	39.1	37.0	31.0	23.6	18.8				4
5	34.5	34.5	33.5	31.6	30.2	23.6	19.1	14.9			5
6	28.9	29.1	29.2	28.7	27.3	22.0	18.4	15.0	11.8	10.1	6
7	24.2	24.5	24.6	24.9	23.4	20.2	17.1	14.4	11.7	10.1	7
8		21.0	21.2	21.0	19.7	18.4	16.0	13.8	11.3	9.9	8
9		17.5	17.9	17.8	17.0	16.1	14.9	13.0	10.8	9.7	9
10		14.8	15.2	15.1	14.8	14.4	13.6	12.3	10.3	9.3	10
12			11.4	11.4	11.6	11.5	10.9	10.6	9.4	8.4	12
14			9.1	9.1	9.3	9.1	9.0	8.7	8.5	7.7	14
16				7.7	7.6	7.4	7.5	7.5	7.3	7.0	16
18					6.4	6.5	6.3	6.3	6.0	6.1	18
20					5.4	5.5	5.4	5.3	5.1	5.1	20
22						4.7	4.6	4.5	4.3	4.2	22
24						4.1	3.9	3.9	3.6	3.6	24
26							3.4	3.3	3.1	3.1	26
28							3.0	2.9	2.7	2.7	28
30								2.5	2.3	2.3	30
32									2.0	2.0	32
34									1.7	1.7	34
36										1.4	36

Liebherr LTM 1055-3.2



10.2 - 40.0m



6.3m



360°



7t

Main Boom (m)

Radius	10.2	13.6	17.0	20.5	23.9	27.3	30.7	34.2	37.6	40.0	Radius
3	42.3	42.3	42.2	38.2	30.6	22.8					3
4	40.3	40.3	39.1	37.4	31.0	23.6	18.8				4
5	32.9	33.2	32.5	31.6	29.3	23.6	19.1	14.9			5
6	26.8	27.1	26.0	24.9	23.1	21.6	18.4	15.0	11.8	10.1	6
7	21.1	21.9	21.5	20.4	19.0	18.2	16.9	14.4	11.7	10.1	7
8		17.4	17.7	17.0	16.1	15.8	14.4	13.7	11.3	9.9	8
9		14.2	14.6	14.5	14.3	13.6	12.9	12.1	10.8	9.7	9
10		12.0	12.3	12.3	12.6	11.8	11.2	10.7	10.3	9.3	10
12			9.5	9.5	9.5	9.4	9.1	8.7	8.2	8.0	12
14			7.1	7.4	7.3	7.5	7.3	7.0	6.6	6.5	14
16				6.0	6.0	6.0	5.9	5.8	5.4	5.3	16
18					4.9	4.9	4.8	4.7	4.4	4.3	18
20					4.1	4.1	4.0	3.8	3.6	3.6	20
22						3.5	3.4	3.2	3.0	3.0	22
24						3.0	2.8	2.7	2.5	2.5	24
26							2.4	2.3	2.1	2.1	26
28								2.0	1.9	1.7	28
30									1.6	1.4	30
32										1.1	32
34										0.9	34



# Liebherr LTM 1055-3.2

## 55 Tonne



10.2 - 40.0m



6.3m



360°



5.5t

Main Boom (m)

Radius	10.2	13.6	17.0	20.5	23.9	27.3	30.7	34.2	37.6	40.0	Radius
3	42.3	42.3	42.2	38.2	30.6	22.8					3
4	40.1	40.0	39.1	37.0	31.0	23.6	18.8				4
5	32.4	32.7	30.9	29.7	27.4	23.6	19.1	14.9			5
6	26.0	26.1	24.9	23.3	21.6	20.1	18.4	15.0	11.8	10.1	6
7	19.7	20.5	20.1	19.0	17.9	17.3	15.8	14.4	11.7	10.1	7
8		16.2	16.6	15.9	14.7	14.7	13.9	13.0	11.3	9.9	8
9		13.3	13.6	13.5	12.5	12.5	11.9	11.4	10.7	9.7	9
10		11.1	11.5	11.8	10.8	10.8	10.6	10.2	9.5	9.3	10
12			8.5	8.8	8.8	8.8	8.3	8.0	7.4	7.3	12
14			6.5	6.8	6.8	6.8	6.7	6.4	5.9	5.8	14
16				5.4	5.5	5.5	5.3	5.2	4.8	4.7	16
18					4.5	4.5	4.3	4.2	3.9	3.9	18
20					3.7	3.7	3.6	3.4	3.2	3.1	20
22					3.1	3.1	3.0	2.9	2.6	2.6	22
24					2.6	2.6	2.5	2.4	2.2	2.1	24
26							2.1	2.0	1.8	1.8	26
28							1.7	1.6	1.4	1.4	28
30								1.3	1.1	1.1	30
32									0.9	0.9	32

Liebherr LTM 1055-3.2



# Liebherr LTM 1055-3.2

## 55 Tonne



49.5.0 - 56.0m
 9.5 - 16m
 6.3m
 360°
 12t

40 m Boom + 9.5 m Jib

40 m Boom + 16 m Jib

Radius	Jib Offset (Degrees)						Radius
	0	20	40	0	20	40	
8	5.5						8
9	5.5			3.1			9
10	5.4			3.1			10
12	5.3	5.0		3.0			12
14	5.0	4.9		3.0			14
16	4.7	4.6	4.3	2.9	2.6		16
18	4.3	4.2	4.0	2.8	2.5		18
20	4.1	3.9	3.8	2.8	2.5	2.2	20
22	3.8	3.7	3.6	2.7	2.4	2.2	22
24	3.6	3.5	3.5	2.6	2.4	2.2	24
26	3.1	3.3	3.3	2.6	2.3	2.1	26
28	2.7	2.9	3.0	2.5	2.3	2.1	28
30	2.3	2.5	2.6	2.4	2.2	2.1	30
32	2.0	2.1	2.2	2.1	2.2	2.1	32
34	1.7	1.8	1.9	1.8	2.0	2.1	34
36	1.4	1.5		1.5	1.8	1.9	36
38	1.2	1.3		1.3	1.5	1.7	38
40	1.0	1.1		1.1	1.3	1.4	40
42	0.8	0.9		0.9	1.1	1.2	42
44	0.6			0.8	0.9	1.0	44
46				0.6	0.7	0.8	46

Liebherr LTM 1055-3.2