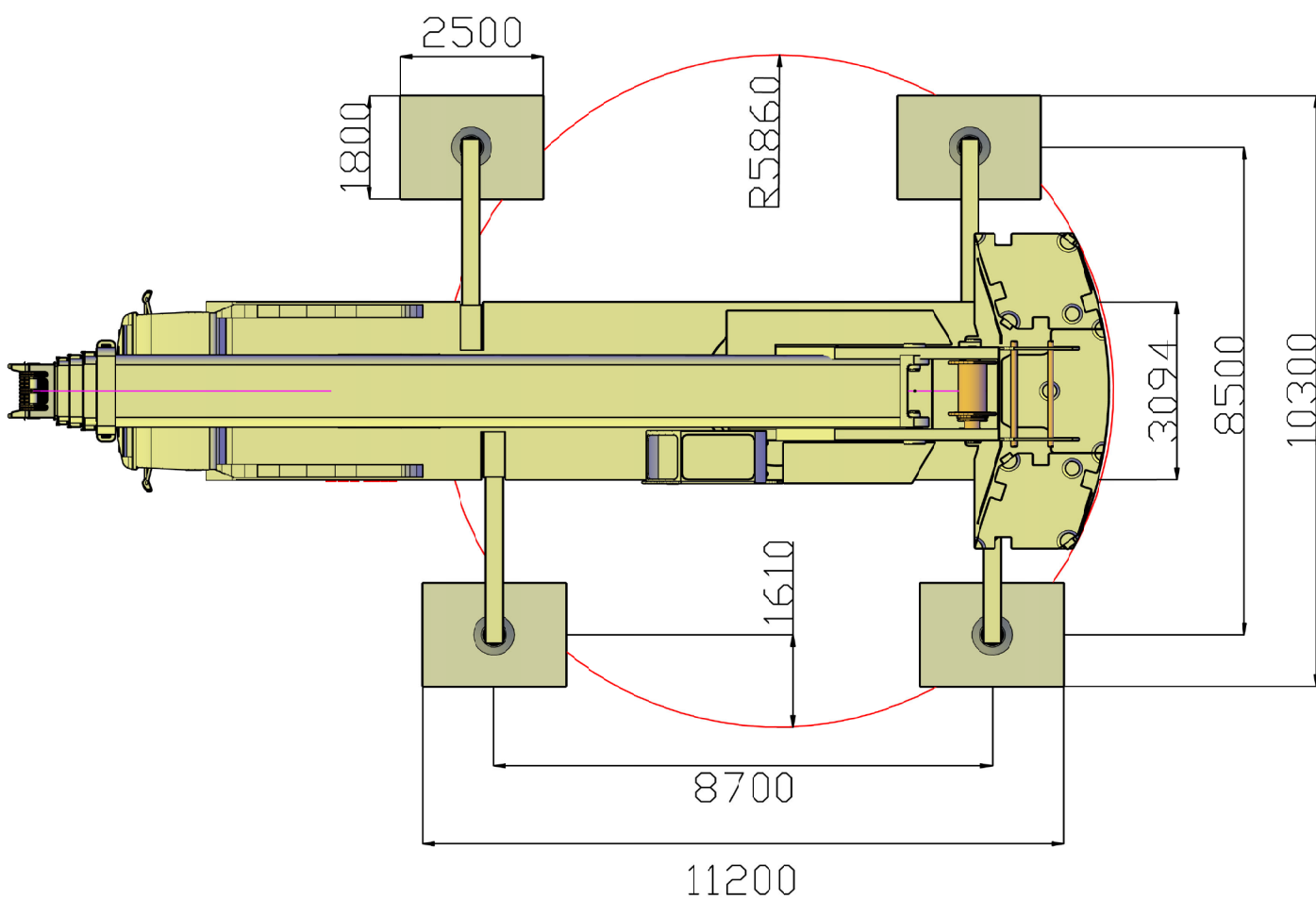
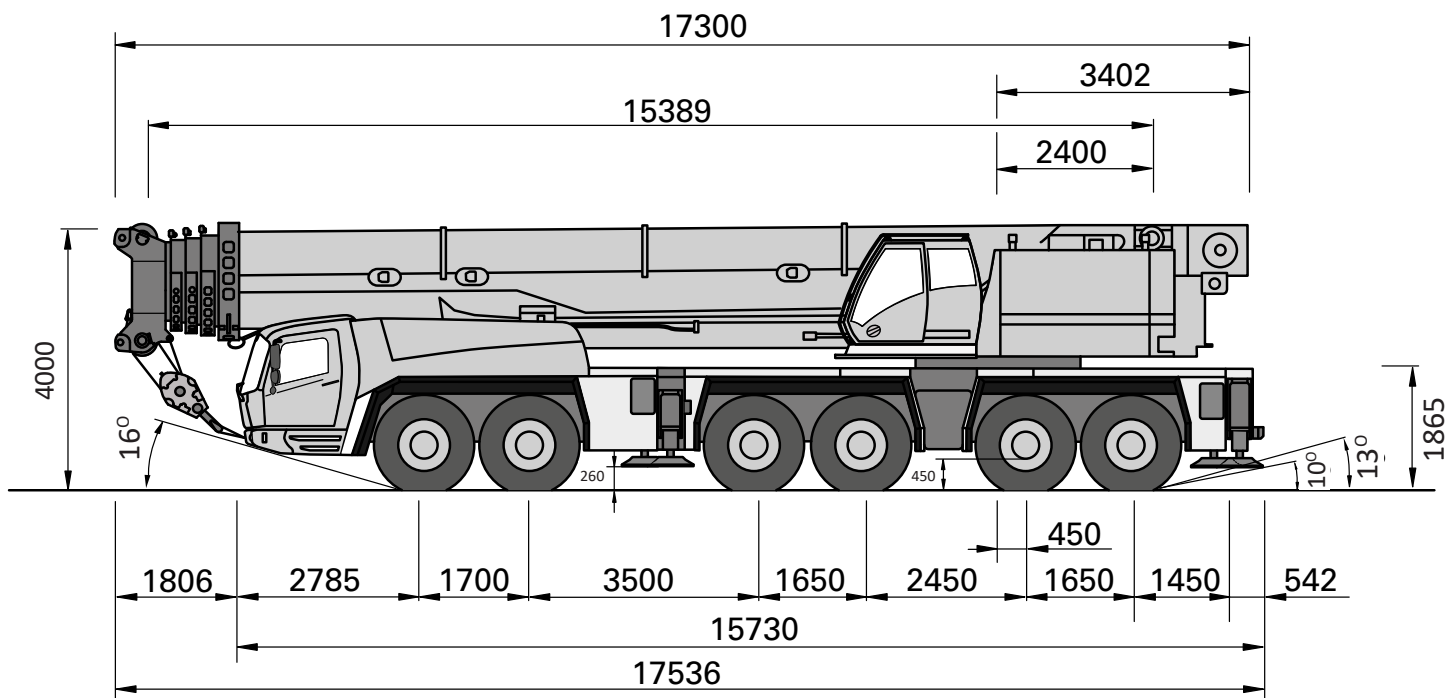


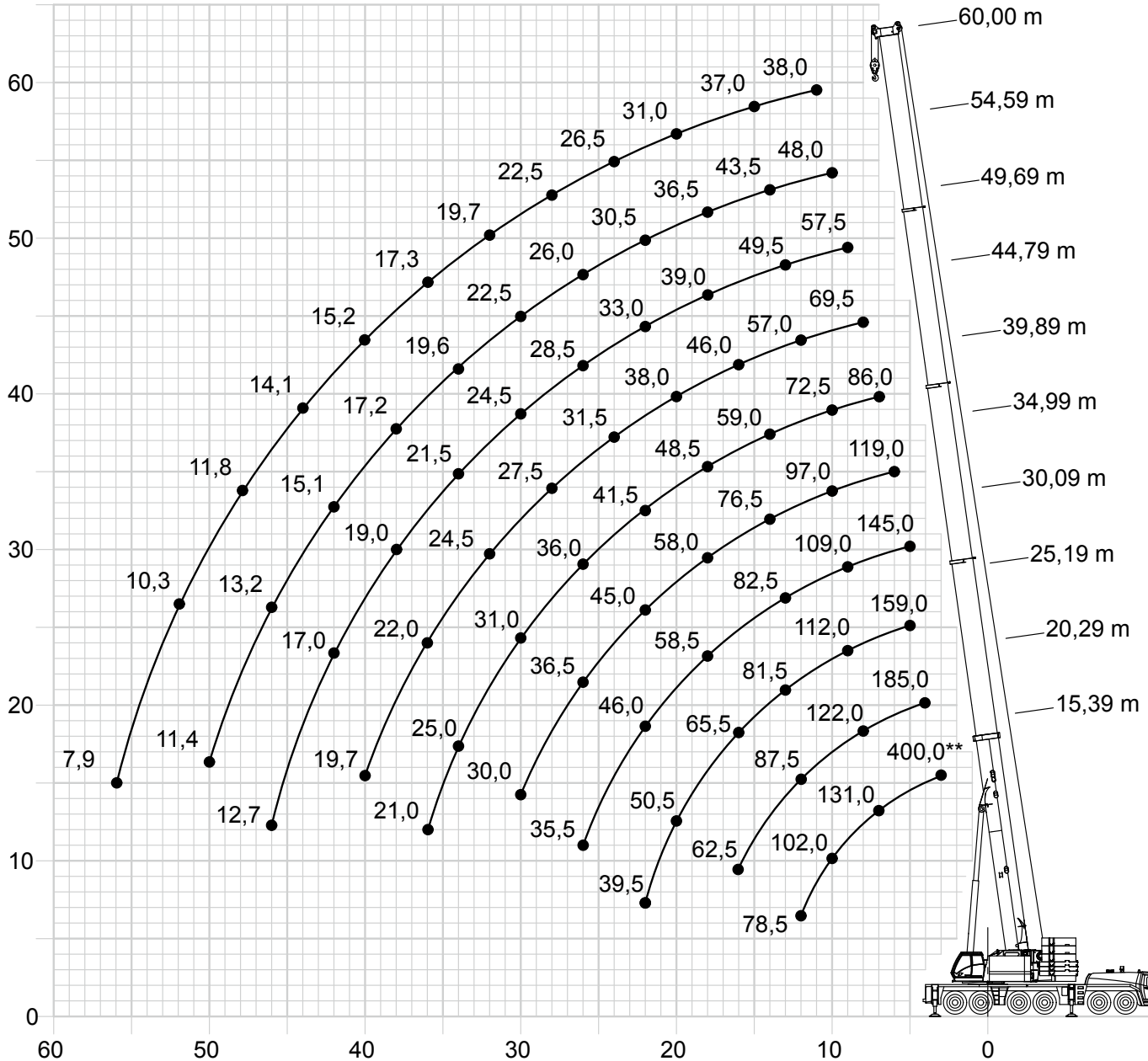
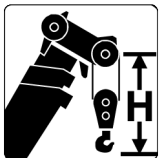


**MCINTOSH**  
CRANES

**Grove GMK6400**  
400 Tonne



**GROVE GMK6400**


**GROVE GMK6400**


Type	Possible Load	Weight	H
5 Sheave	134t	1800kg	3.65m
3 Sheave	87t	1300kg	3.30m
- 1 Sheave -	38t	850kg	3.20m
Ball Hook	12.5t	450kg	2.60m



# Grove GMK6400 400 Tonne



34.99 - 60.00m



8.5m



360°



135t

### Mian Boom (m) + Megawing

Radius	34.99	39.89	44.79	49.69	54.59	60.00	Radius
8	109.0	105.0	103.0				8
9	101.0	97.0	94.5	92.0			9
10	96.5	93.0	90.0	87.5	76.0		10
11	90.5	87.0	84.0	81.5	76.0	64.0	11
12	85.5	82.0	79.0	76.5	74.0	64.0	12
13	80.5	77.5	74.5	72.0	60.5	61.5	13
14	74.5	74.0	70.5	68.0	65.5	59.5	14
15	70.0	70.0	67.5	64.5	62.0	57.0	15
16	65.5	65.5	64.0	61.5	59.0	55.0	16
18	57.5	58.0	58.0	56.5	54.0	51.5	18
20	51.0	51.0	51.0	51.0	49.5	48.0	20
22	45.0	45.5	45.5	45.0	45.0	44.5	22
24	40.0	40.5	40.5	40.0	40.0	40.0	24
26	36.0	36.0	36.0	36.0	35.5	36.0	26
28	31.5	32.5	32.5	32.5	32.0	32.0	28
30	28.0	29.5	29.5	29.0	29.0	29.0	30
32		26.5	26.5	26.5	26.0	26.5	32
34		22.0	24.5	24.0	24.0	24.0	34
36		18.0	22.5	22.0	21.5	22.0	36
38			18.8	18.5	19.8	20.0	38
40			16.3	15.8	18.1	18.4	40
42				14.2	16.6	16.9	42
44				9.2	15.2	15.5	44
46					12.9	14.2	46
48					11.6	13.1	48
50					8.3	11.4	50
52						9.3	52
54						8.3	54
56						4.7	56

GROVE GMK6400



15.39 - 60.00m



8.5m



360°



135t

## Main Boom (m)

Radius	15.39	20.29	25.19	30.09	34.99	39.89	44.79	49.69	54.59	58.65	60.00	Radius
8	123.0	122.0	121.0									8
9	112.0	112.0	112.0	107.0		77.0	67.0					9
10	102.0	103.0	103.0	101.0	97.0	72.5	64.0	56.0				10
11	93.5	94.5	94.5	94.5	91.5	69.0	60.5	54.0	47.5	40.0	38.0	11
12	78.5	87.5	87.5	89.0	86.5	65.5	57.0	52.0	46.5	40.0	38.0	12
13		81.0	81.5	82.5	82.0	62.0	54.0	49.5	45.0	40.0	38.0	13
14		75.5	75.5	77.0	76.5	59.0	51.0	47.0	43.5	39.5	38.0	14
15		69.5	70.5	72.0	71.0	56.0	48.5	44.5	41.5	38.5	37.0	15
16		62.5	65.5	67.0	66.0	53.5	46.0	42.5	40.0	37.0	36.0	16
18			57.5	58.5	58.0	48.5	41.5	39.0	36.5	34.5	33.5	18
20			50.5	52.0	51.0	44.5	38.0	35.5	33.5	31.5	31.0	20
22			40.0	46.0	45.0	41.5	34.0	33.0	30.5	29.0	28.5	22
24				41.0	40.5	38.5	31.5	30.5	28.5	27.0	26.5	24
26				35.5	36.5	36.0	29.5	28.5	26.5	25.0	24.5	26
28					33.0	34.0	27.5	26.5	24.5	23.5	22.5	28
30					30.0	31.0	26.0	24.5	23.0	21.5	21.0	30
32							24.5	23.0	21.5	20.0	19.7	32
34							23.0	21.5	20.0	18.8	18.4	34
36							22.0	20.0	19.1	17.7	17.3	36
38							21.0	19.0	18.0	16.6	16.2	38
40							19.7	17.9	16.9	15.5	15.2	40
42								17.0	16.0	14.7	14.3	42
44								16.0	15.1	13.8	13.4	44
46								12.7	14.4	12.9	12.6	46
48									13.7	12.1	11.8	48
50									11.4	11.2	10.9	50
52										10.6	10.3	52
54										9.9	9.7	54
56											7.9	56
58												58



**Grove GMK6400**  
400 Tonne



15.39 - 60.00m



8.5m



360°



115t

Main Boom (m)

Radius	15.39	20.29	25.19	30.09	34.99	39.89	44.79	49.69	54.59	58.65	60.00	Radius
5	170.0	167.0	157.0									5
6	150.0	150.0	144.0	137.0	119.0							6
7	134.0	134.0	132.0	125.0	119.0	86.0						7
8	120.0	121.0	121.0	116.0	112.0	82.0	69.5					8
9	109.0	110.0	110.0	109.0	104.0	77.0	67.0	57.5				9
10	100.0	101.0	101.0	101.0	97.0	72.0	64.0	56.0	48.0			10
11	92.0	92.5	93.0	94.0	91.5	69.0	60.5	54.0	47.5	40.0	38.0	11
12	78.5	85.0	85.0	86.5	85.0	65.5	57.0	52.0	46.5	40.0	38.0	12
13		78.0	78.0	79.0	78.5	62.0	54.0	49.5	45.0	40.0	38.0	13
14		72.0	72.0	73.0	72.5	59.0	51.0	47.0	43.5	39.5	38.0	14
15		67.0	66.0	67.5	67.0	56.0	48.5	44.5	41.5	38.5	37.0	15
16		62.0	62.0	62.5	61.5	53.5	46.0	42.5	40.0	37.0	36.0	16
18			54.0	54.0	53.0	48.5	41.5	39.0	36.5	34.5	33.5	18
20			47.5	47.0	46.5	44.5	38.0	35.5	33.5	31.5	31.0	20
22			39.5	41.5	41.0	41.5	34.0	33.0	30.5	29.0	28.5	22
24				37.5	36.5	37.5	31.5	30.5	28.5	27.0	26.5	24
26				33.5	33.0	33.5	29.5	28.5	26.5	25.0	24.5	26
28					30.5	30.5	27.5	26.5	24.5	23.5	22.5	28
30					28.5	28.0	26.0	24.5	23.0	21.5	21.0	30
32						25.5	24.5	23.0	21.5	20.0	19.7	32
34						23.5	23.0	21.5	20.0	18.8	18.4	34
36						21.0	21.5	20.0	19.1	17.7	17.3	36
38							19.7	19.0	18.0	16.6	16.2	38
40							18.1	17.9	16.9	15.5	15.2	40
42								16.5	16.0	14.7	14.3	42
44								15.2	15.1	13.8	13.4	44
46								12.7	14.2	12.9	12.6	46
48									13.2	12.1	11.8	48
50									11.3	11.2	10.9	50
52										10.6	10.3	52
54										9.8	9.7	54
56											7.9	56

**GROVE GMK6400**



15.39 - 60.00m



8.5m



360°



95t

## Main Boom (m)

Radius	15.39	20.29	25.19	30.09	34.99	39.89	44.79	49.69	54.59	58.65	60.00	Radius
3	225.0											3
4	192.0	187.0										4
5	167.0	167.0	159.0	145.0								5
6	147.0	148.0	144.0	137.0	119.0							6
7	131.0	132.0	132.0	125.0	119.0	86.0						7
8	118.0	119.0	119.0	116.0	112.0	82.0	69.5					8
9	107.0	108.0	108.0	109.0	104.0	77.0	67.0	56.5				9
10	96.5	97.0	97.5	98.5	97.0	72.5	64.0	56.0	48.0			10
11	87.0	88.0	88.0	89.0	88.5	69.0	60.5	54.0	47.5	40.0	38.0	11
12	78.0	79.0	79.0	80.5	80.0	65.5	57.0	52.0	46.5	40.0	38.0	12
13		72.5	73.0	73.0	72.5	62.0	54.0	49.5	45.0	40.0	38.0	13
14		66.0	67.0	66.5	66.0	59.0	51.0	47.0	43.5	39.5	38.0	14
15		60.5	61.5	61.0	60.5	56.0	48.5	44.5	41.5	38.5	37.0	15
16		56.0	56.5	56.5	55.5	53.5	46.0	42.5	40.0	37.0	36.0	16
18			49.0	48.5	48.0	48.5	41.5	39.0	36.5	34.5	33.5	18
20			42.5	42.5	41.5	43.0	38.0	35.5	33.5	31.5	31.0	20
22			38.0	37.5	37.0	38.0	34.0	33.0	30.5	29.0	28.5	22
24				33.0	34.5	33.5	31.5	30.5	28.5	27.0	26.5	24
26				29.5	30.5	29.5	29.5	28.5	26.5	25.0	24.5	26
28					27.0	26.0	26.5	26.5	24.5	23.5	22.5	28
30					24.5	23.5	24.0	23.5	23.0	21.5	21.0	30
32						22.0	21.5	21.5	21.5	20.0	19.7	32
34						20.0	19.7	19.2	19.5	18.8	18.4	34
36						18.4	18.0	17.8	17.6	17.0	16.9	36
38							16.4	16.6	16.0	15.4	15.3	38
40							15.0	15.2	14.6	14.0	13.8	40
42								13.9	13.3	12.7	12.6	42
44								12.8	12.2	11.6	11.4	44
46								11.0	11.1	10.5	10.4	46
48									10.2	9.6	9.4	48
50									9.4	8.7	8.6	50
52										7.9	7.7	52
54										7.2	7.0	54
56											6.3	56



# Grove GMK6400 400 Tonne

15.39 - 60.00m
 8.5m
 360°
 75t

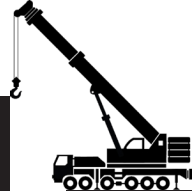
### Main Boom (m)

Radius	15.39	20.29	25.19	30.09	34.99	39.89	44.79	49.69	54.59	58.65	60.00	Radius
3	221.0											3
4	188.0	187.0										4
5	164.0	164.0	156.0	145.0								5
6	144.0	145.0	144.0	137.0	119.0							6
7	128.0	129.0	129.0	125.0	119.0	86.0						7
8	114.0	115.0	115.0	116.0	112.0	82.0	69.5					8
9	101.0	102.0	102.0	103.0	102.0	77.0	67.0	57.5				9
10	88.0	89.0	89.5	91.0	89.5	72.5	64.0	56.0	48.0			10
11	78.0	80.0	81.0	80.5	79.5	69.0	60.5	54.0	47.5	40.0	38.0	11
12	70.0	72.0	72.5	72.5	71.0	65.5	57.0	52.0	46.5	40.0	38.0	12
13		65.0	66.0	65.5	64.5	62.0	54.0	49.5	45.0	40.0	38.0	13
14		59.5	60.0	60.0	58.5	58.0	51.0	47.0	43.5	39.5	38.0	14
15		54.5	55.0	55.0	53.5	53.0	48.5	44.5	41.5	38.5	37.0	15
16		50.0	50.5	50.5	49.0	49.0	45.5	42.5	40.0	37.0	36.0	16
18			42.5	32.0	43.5	42.0	40.5	39.0	36.5	34.5	37.5	18
20			36.0	36.0	37.0	36.0	36.0	35.0	33.5	31.5	31.0	20
22			31.5	32.5	32.0	31.0	31.5	31.0	30.5	29.0	28.5	22
24				28.5	28.0	28.5	28.0	27.5	27.0	26.0	25.5	24
26				25.0	24.5	25.0	24.5	24.5	24.0	23.0	23.0	26
28					22.0	22.0	22.5	22.0	21.5	20.5	20.5	28
30					19.9	19.7	20.0	19.5	19.0	18.4	18.2	30
32						17.7	18.0	17.5	17.0	16.3	16.1	32
34						15.9	16.2	15.7	15.2	14.5	14.3	34
36						14.4	14.6	14.1	13.5	12.9	12.7	36
38							13.3	12.7	12.1	11.4	11.2	38
40							11.2	11.5	10.8	10.1	9.9	40
42								10.3	9.7	9.0	8.8	42
44								9.4	8.7	8.0	7.8	44
46								7.6	7.8	7.0	6.9	46
48									6.9	6.2	6.0	48
50									6.2	5.4	5.2	50
52										4.7	4.5	52
54										4.1	3.9	54
56											3.3	56

GROVE GMK6400



# Grove GMK6400 400 Tonne



15.39 - 60.00m



8.5m



360°



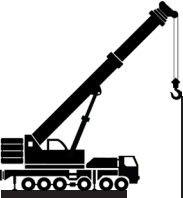
55t

### Main Boom (m)

Radius	15.39	20.29	25.19	30.09	34.99	39.89	44.79	49.69	54.59	58.65	60.00	Radius
3	217.0											3
4	185.0	185.0										4
5	160.0	161.0	159.0	145.0								5
6	141.0	142.0	142.0	137.0	119.0							6
7	123.0	124.0	124.0	123.0	113.0	86.0						7
8	104.0	105.0	106.0	103.0	96.0	82.0	69.5					8
9	89.0	92.0	92.5	88.5	82.5	77.0	67.0	57.5				9
10	78.5	80.5	81.0	77.0	72.0	70.5	64.0	56.0	48.0			10
11	68.5	71.5	71.5	68.0	64.5	62.5	58.0	54.0	47.5	40.0	38.0	11
12	59.0	62.5	36.5	60.5	60.0	56.5	54.0	51.5	46.5	40.0	38.0	12
13		54.5	56.0	54.5	54.0	51.0	49.5	47.5	45.0	40.0	38.0	13
14		48.5	49.5	49.0	49.0	46.0	45.0	43.5	41.5	39.5	38.0	14
15		43.0	44.5	45.5	45.0	43.0	42.0	41.0	38.0	37.5	37.0	15
16		39.0	40.5	41.5	41.0	40.5	38.5	38.5	36.0	34.5	34.0	16
18			33.5	34.5	34.0	34.5	33.0	33.0	31.0	29.5	29.0	18
20			28.0	29.0	29.5	29.0	28.5	28.5	27.0	25.5	25.0	20
22			24.0	25.0	25.5	25.0	24.5	24.5	23.5	22.5	22.0	22
24				22.0	22.0	22.0	21.0	21.0	20.5	19.6	19.2	24
26				19.0	19.1	19.1	18.1	18.4	17.8	17.1	16.9	26
28				16.6	16.7	16.7	15.7	16.0	15.4	14.7	14.5	28
30					14.7	14.7	13.7	14.0	13.4	12.7	12.5	30
32					12.9	13.0	12.0	12.3	11.7	11.0	10.8	32
34						11.5	10.5	10.8	10.2	9.5	9.3	34
36						10.0	9.2	9.4	8.8	8.2	8.0	36
38						8.9	8.1	8.3	7.7	7.0	6.8	38
40							7.0	7.3	6.6	6.0	5.8	40
42								6.4	5.7	5.0	4.8	42
44								5.6	4.9	4.2	4.0	44
46								4.0	4.2	3.4	3.2	46
48									3.5	2.8	2.6	48
50									2.9	2.1	1.9	50
52										1.6		52

GROVE GMK6400





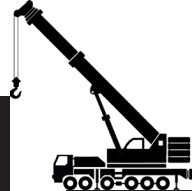
# Grove GMK6400 400 Tonne

15.39 - 60.00m
 8.5m
 360°
 35t

### Main Boom (m)

Radius	15.39	20.29	25.19	30.09	34.99	39.89	44.79	49.69	54.59	58.65	60.00	Radius
3	213.0											3
4	181.0	182.0										4
5	156.0	157.0	157.0	145.0								5
6	133.0	134.0	127.0	118.0	108.0							6
7	109.0	109.0	103.0	95.5	88.0	84.5						7
8	89.0	90.5	85.5	80.0	74.0	72.0	65.5					8
9	71.0	75.0	72.5	68.0	66.5	62.0	60.0	56.5				9
10	58.5	62.0	62.5	61.5	58.0	56.0	53.0	52.0	47.0			10
11	49.0	52.5	55.0	54.0	51.0	49.5	49.0	46.0	43.0	40.0	38.0	11
12	41.5	45.0	47.5	48.0	46.5	44.5	44.0	41.5	39.0	36.5	36.0	12
13		39.0	41.5	52.0	41.5	41.5	39.5	37.5	35.0	33.0	32.5	13
14		34.0	36.5	37.0	38.0	37.5	36.0	34.0	32.0	30.0	29.5	14
15		30.0	32.5	33.0	33.5	34.0	33.0	31.0	29.0	27.5	27.0	15
16		26.5	29.0	29.5	30.0	30.5	30.0	28.5	26.5	25.0	24.5	16
18			23.5	24.0	24.5	25.0	24.5	24.0	22.5	21.0	20.5	18
20			19.3	20.0	20.5	20.5	20.5	19.8	19.0	17.7	17.3	20
22			16.1	16.7	17.1	17.2	17.0	16.5	15.8	15.0	14.7	22
24				14.0	14.5	14.6	14.4	13.8	13.2	12.5	12.3	24
26				11.9	12.3	12.4	12.2	11.6	11.0	10.3	10.1	26
28					10.4	10.5	10.3	9.8	9.2	8.5	8.3	28
30					8.9	9.0	8.8	8.2	7.6	6.9	6.7	30
32					7.2	7.6	7.4	6.9	6.3	5.6	5.4	32
34						6.5	6.3	5.7	5.1	4.5	4.3	34
36						5.0	5.3	4.7	4.1	3.4	3.3	36
38							4.4	3.9	3.2	2.6	2.4	38
40							2.9	3.1	2.5	1.8		40
42								2.4	1.8			42
44								1.8				44

GROVE GMK6400



15.39 - 60.00m



8.5m



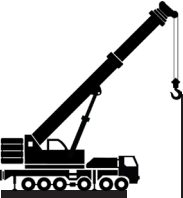
360°



15t

## Main Boom (m)

Radius	15.39	20.29	25.19	30.09	34.99	39.89	44.79	49.69	54.59	58.65	60.00	Radius
3	208.0											3
4	177.0	177.0										4
5	148.0	136.0	124.0	111.0								5
6	109.0	102.0	94.0	85.5	77.0							6
7	76.0	79.5	75.5	71.5	67.0	63.5						7
8	57.0	61.5	62.0	59.5	56.0	55.0	49.0					8
9	44.5	48.5	51.5	50.5	48.0	47.0	42.0	41.0				9
10	35.5	39.5	42.0	43.0	41.0	44.5	36.0	35.5	32.5			10
11	29.0	32.5	35.5	36.5	35.5	35.0	31.5	31.0	28.5	26.5	25.5	11
12	24.0	27.5	30.0	31.0	31.0	31.0	27.5	27.5	25.0	23.0	22.5	12
13		23.0	25.5	27.0	27.0	27.0	24.5	24.0	22.0	20.5	20.0	13
14		19.8	22.0	23.5	23.5	23.5	22.0	21.5	19.7	18.2	17.7	14
15		17.0	19.4	20.5	20.5	20.5	19.4	19.3	17.6	16.0	15.6	15
16		14.7	16.9	18.0	18.1	18.2	17.1	17.3	15.6	14.2	13.8	16
18			13.1	14.1	14.2	14.3	13.2	13.5	12.4	11.1	10.8	18
20			10.2	11.1	11.3	11.4	10.3	10.6	9.9	8.7	8.4	20
22			7.9	8.8	8.9	9.0	8.0	8.3	7.6	6.8	6.5	22
24				7.0	7.1	7.1	6.1	6.4	5.8	5.1	4.9	24
26				5.4	5.5	5.6	4.6	4.9	4.2	3.5	3.3	26
28				4.2	4.2	4.3	3.3	3.6	3.0	2.3	2.1	28
30					3.1	3.2	2.2	2.5	1.9			30
32					2.2	2.3						32



# Grove GMK6400 400 Tonne



15.39 - 49.69m



8.5m



360°



0t

### Main Boom (m)

Radius	15.39	20.29	25.19	30.09	34.99	39.89	44.79	49.69	Radius
3	205.0								3
4	173.0	148.0							4
5	108.0	98.5	90.0	82.0					5
6	65.5	71.5	67.5	63.0	57.0				6
7	44.0	49.0	51.5	48.5	45.0	43.5			7
8	31.5	36.0	39.5	38.5	36.0	35.5	32.5		8
9	23.5	27.5	30.5	31.5	29.5	29.0	26.5	24.0	9
10	17.8	21.5	24.5	25.5	24.0	23.5	20.0	19.8	10
11	13.5	17.0	19.7	21.0	20.0	19.8	18.3	16.5	11
12	10.2	13.5	16.1	17.3	16.9	16.7	15.4	13.9	12
13		10.8	13.3	14.4	14.4	14.2	13.1	11.7	13
14		8.6	11.0	12.1	12.2	12.1	11.1	9.8	14
15		6.7	9.1	10.1	10.3	10.4	9.5	8.3	15
16		5.2	7.5	8.5	8.7	8.8	8.1	6.9	16
18			4.9	5.9	6.0	6.1	5.8	4.8	18
20			2.9	3.9	4.0	4.1	3.9	3.1	20
22				2.4	2.5	2.6	2.4	1.7	22

GROVE GMK6400